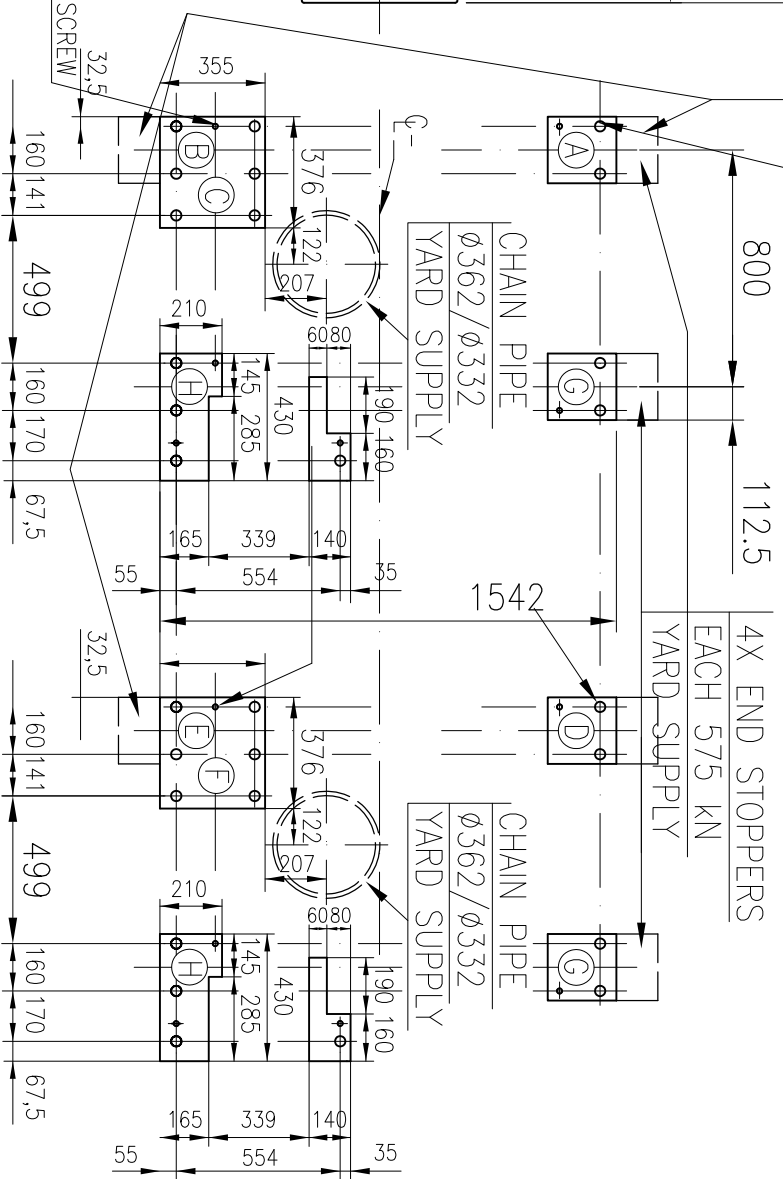
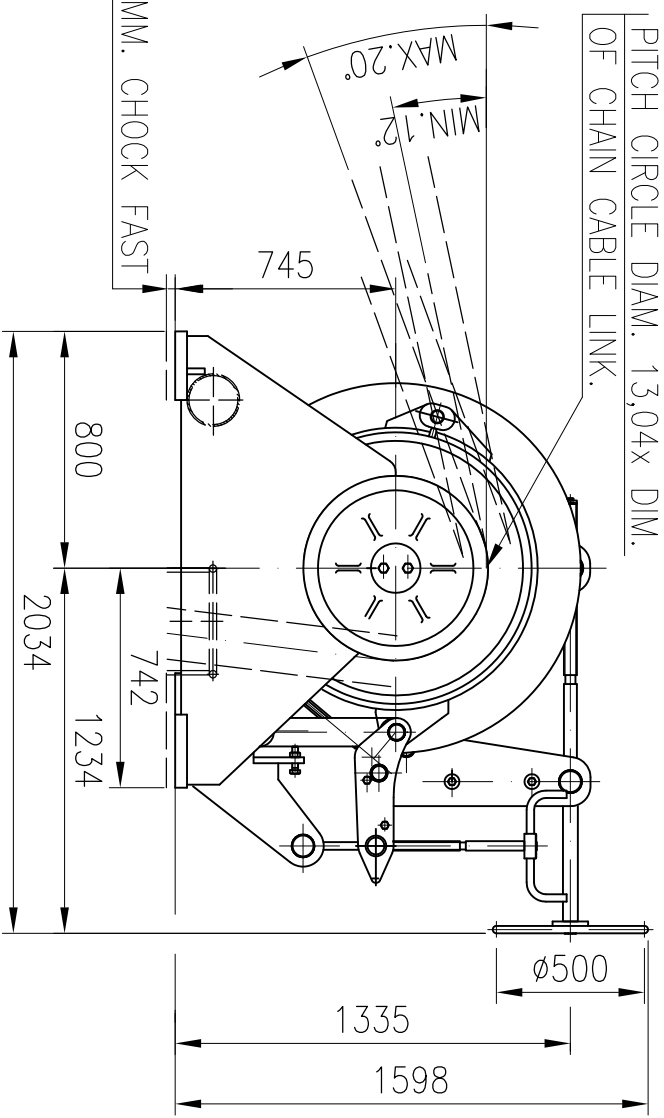


3X END STOPPERS
EACH 470 KN
YARD SUPPLY

22X Ø35
BOLTS M30
QUAL. 8.8
TORQUE: 1115Nm

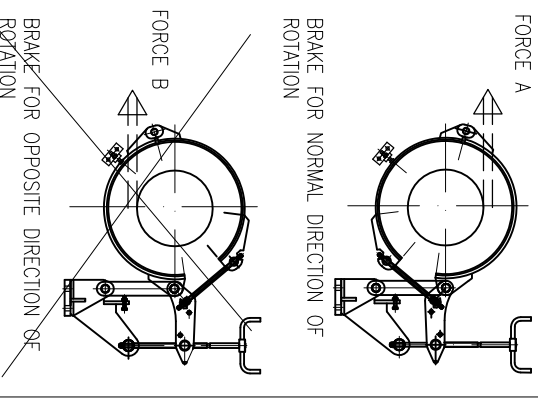
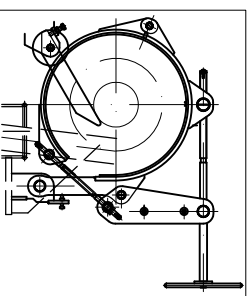
APPR. 30MM. CHOCK FAST



| FORCES ON FOOTPRINT OF SKID | | |
|-----------------------------|---------------|--------|
| BED COMPRESSION PLATE FORCE | TENSILE FORCE | |
| A | 180 kN | 95 kN |
| B | 180 kN | 95 kN |
| C | 530 kN | 120 kN |
| D | 530 kN | 120 kN |
| E | 120 kN | 350 kN |
| F | 120 kN | 350 kN |
| G | 275 kN | 555 kN |
| H | | 185 kN |

PRELIMINARY DRAWING

CABLE LIFTER BRAKE



THE BASE OF FOUNDATION IS NOT MACHINED AFTER MOUNTING OF WINCH TO DECK CHECK THAT THE SHAFT RUN WITHOUT ANY RESISTANCE.

| Item no. | Quant. | Part name / Dimension | Ident./Art. Part. no. | Material Standard Type | Alt. material Alt. standard Maker | Weight Remarks | | | | | | |
|--|--------|-----------------------|-----------------------|------------------------|-----------------------------------|----------------|---|---|-----------|------------|------------------|--------------|
| K | H | G | F | E | D | C | B | A | Revisions | Type/Group | Sign.: GPO | Part list: |
| General tolerances: ISO 2768-1-m. Welding tolerances: NS1432, Class A. | | | | | | | | | | AD44/48 | Date: 08.01.2010 | Replaced by: |
| Checked: | | | | | | | | | | 1:25 | Checked: | Replaces: |
| Checked: | | | | | | | | | | | Approved: | Ref.: |

NDM
Norwegian Deck Machinery AS

WINDLASS 46MMK3
16 TONNES

965-23-01

